

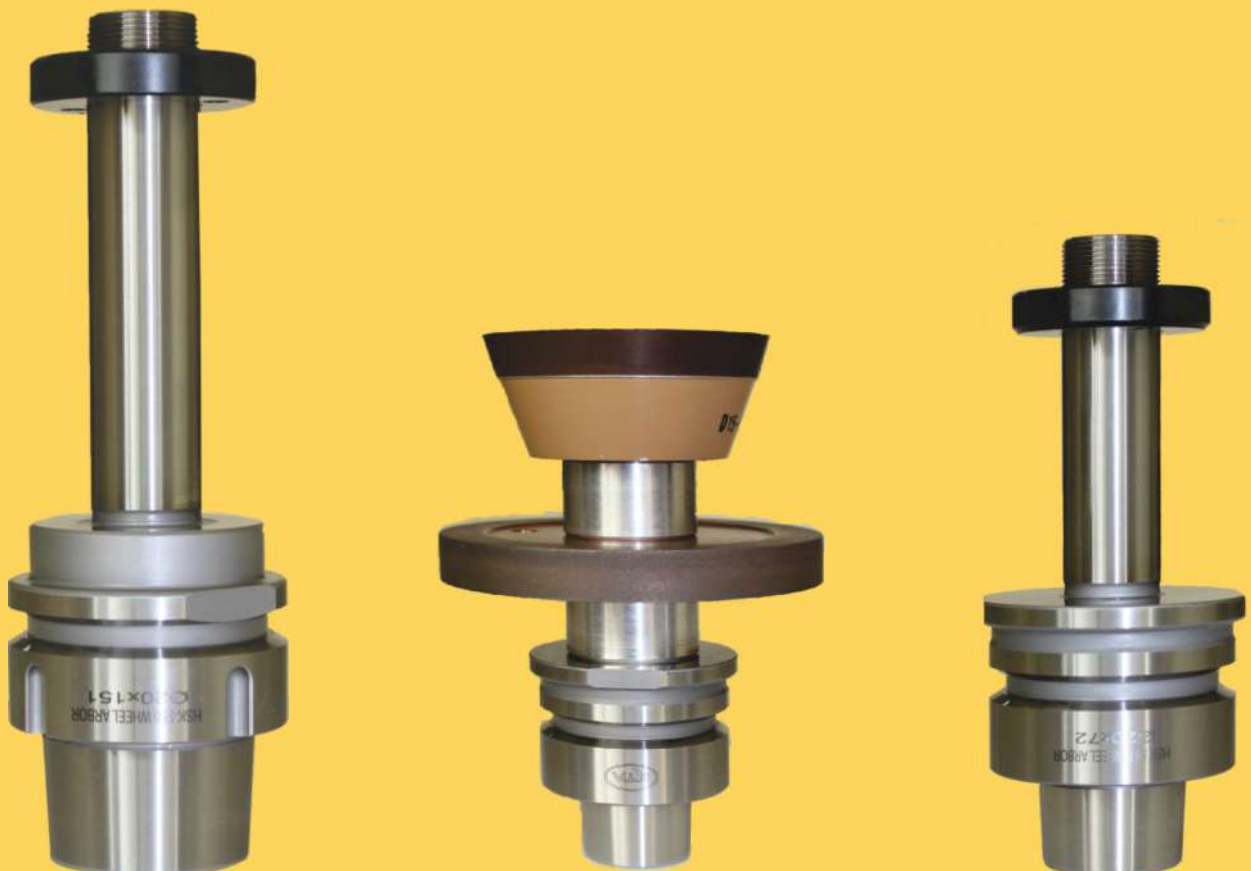


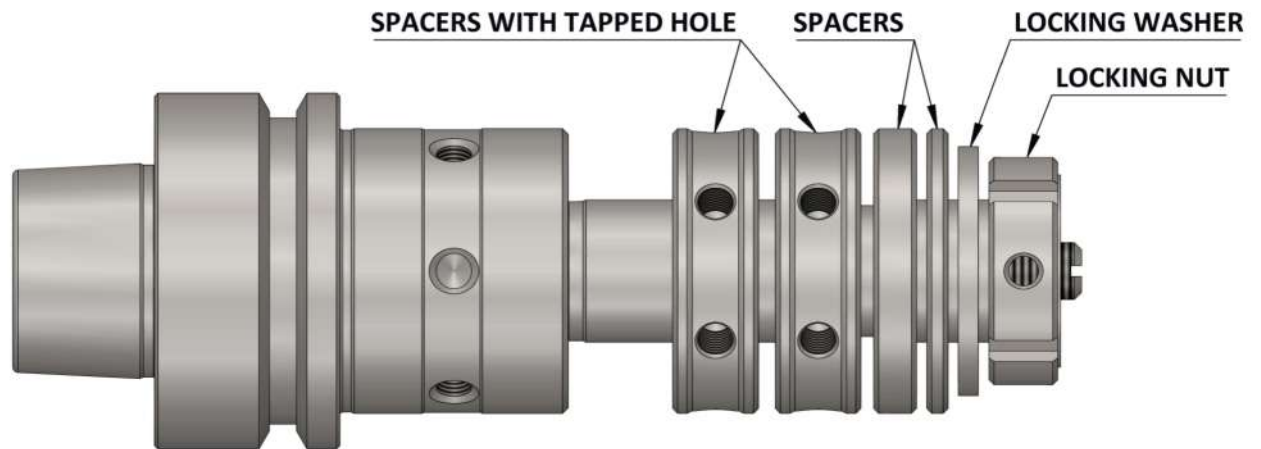
KTA SPINDLE TOOLINGS

A Tool Holder Company
www.ktaspindletoolings.com

Check stock @ link
<http://119.81.67.54/CRMWebsite/ViewCurrentStockPosition.aspx>
And send enquiry to the nearest dealer.

PRECISION WHEEL ARBOR FOR CNC TOOL & CUTTER GRINDING MACHINE





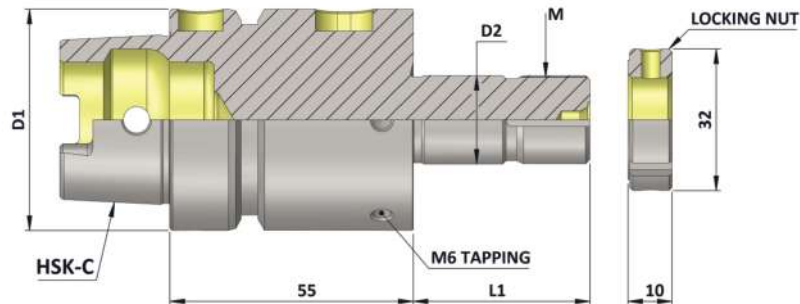
Features

- All 'KTA' precision Grinding Wheel Arbors are subjected to sub-zero treatment (-90°C). This treatment helps to prevent the holders from deformation for many years & hence increases the life.
- Concentricity within 0.003mm.
- Main body balanced to G2.5, 25000 R.P.M.
- Designed special washers with fine adjustment screw for re-balancing after wheel mounting.
- Available for :
 - ANCA Tool & Cutter Grinding Machine
 - DECKEL Tool & Cutter Grinding Machine
 - ROLLOMATIC Tool & Cutter Grinding Machine
 - SCHUTTE (205 SERIES) & SAACKE Tool & Cutter Grinding Machine
 - SCHUTTE (305 SERIES) Tool & Cutter Grinding Machine
 - TGT Tool & Cutter Grinding Machine
 - REINECKER Tool & Cutter Grinding Machine
 - WALTER Tool & Cutter Grinding Machine
 - WIDMA Tool & Cutter Grinding Machine (RX⁵/LX⁵ / EZEE GRIND)



HSK- C 50 Precision Grinding Wheel Arbor (Special with V groove as per HSK-E 50)

For WALTER Tool & Cutter Grinding Machine



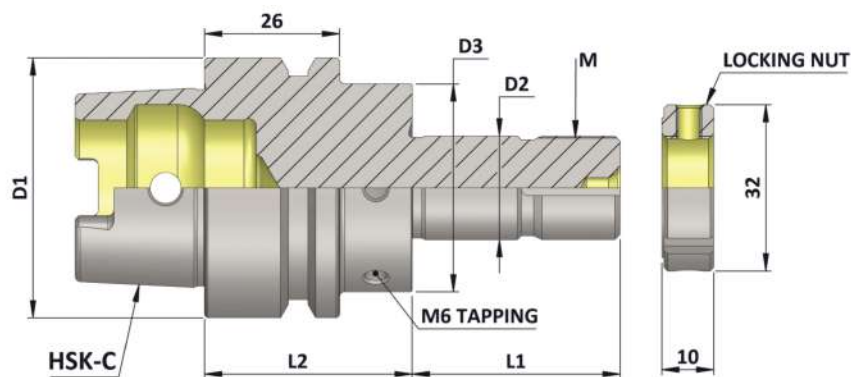
Designed for spacers dia. 40 mm. in thickness : 3mm = 1 no. | 6 mm = 1 no. | 12 mm = 2nos.

WHEEL ARBOR HSK - C 50

Balanced to G 2.5, 25000 R.P.M.

ITEM NAME	ITEM CODE	TAPER	D1	D2	L1	M
HSK-C 50 WA Ø 20 X 95	K10309588600127	HSK-C50	50	20	40	M20x1
HSK-C 50 WA Ø 20 X 115	K10309588601127	HSK-C50	50	20	60	M20x1
HSK-C 50 WA Ø 20 X 140	K10309588602127	HSK-C50	50	20	85	M20x1
HSK-C 50 WA Ø 20 X 155	K10309588603127	HSK-C50	50	20	100	M20x1
HSK-C 50 WA Ø 20 X 175	K10309588604127	HSK-C50	50	20	120	M20x1

For SCHUTTE (205 Series) Tool & Cutter Grinding Machine



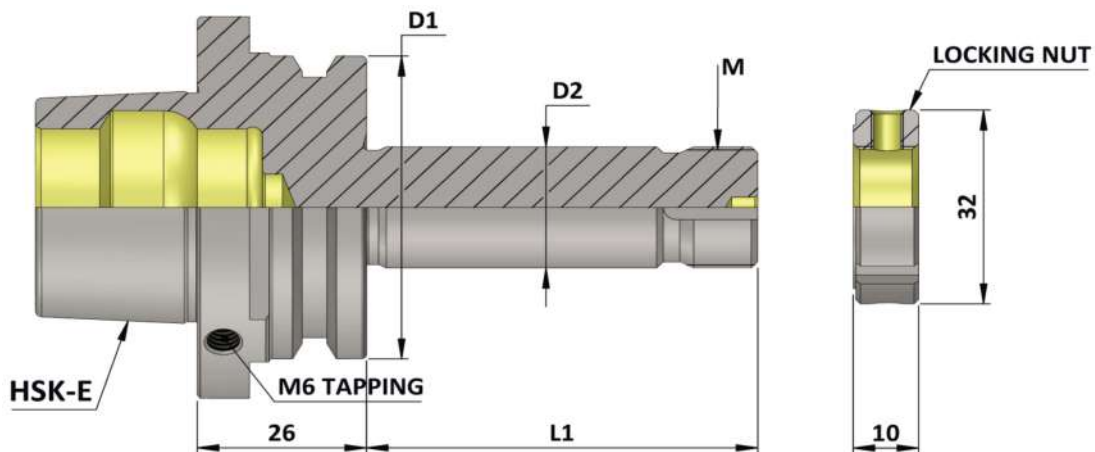
Designed for spacers dia. 40 mm. in thickness : 3mm = 1 no. | 6 mm = 1 no. | 12 mm = 2nos.

WHEEL ARBOR HSK-C 50

Balanced to G 2.5, 25000 R.P.M.

ITEM NAME	ITEM CODE	TAPER	D1	D2	D3	L1	L2	M
HSK-C 50 WA Ø 20 X 80	K10309588605127	HSK-C50	50	20	40	40	40	M20x1
HSK-C 50 WA Ø 20 X 100	K10309588606127	HSK-C50	50	20	40	60	40	M20x1
HSK-C 50 WA Ø 20 X 115 - (SCHUTTE 205)	K10309588601224	HSK-C50	50	20	40	75	40	M20x1
HSK-C 50 WA Ø 20 X 125	K10309588607127	HSK-C50	50	20	40	85	40	M20x1

For **ROLLOMATIC** Tool & Cutter Grinding Machine



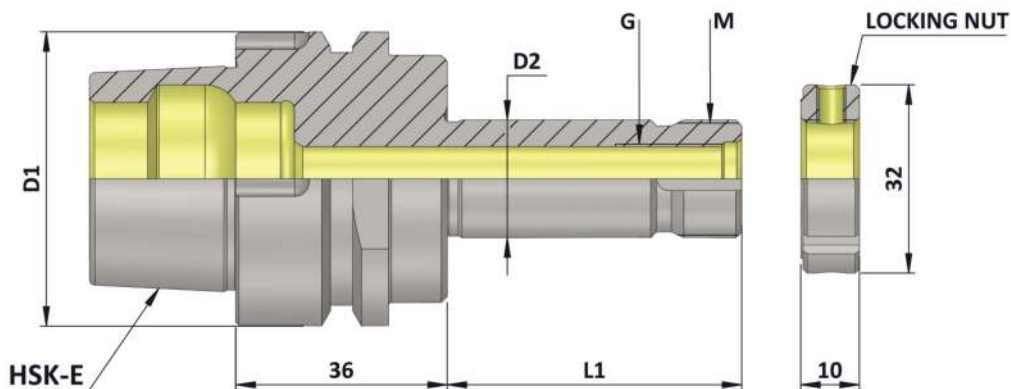
Designed for spacers dia. 40 mm, in thickness : 3mm = 1 no. | 6 mm = 1 no. | 12 mm = 2nos.

WHEEL ARBOR HSK- E 50

Balanced to G 2.5, 25000 R.P.M.

ITEM NAME	ITEM CODE	TAPER	D1	D2	L1	M
HSK-E50 WA Ø 20x75	K10286588595127	HSK-E50	50	20	49	M20x1
HSK-E50 WA Ø 20x107	K10286588596127	HSK-E50	50	20	81	M20x1

For **WIDMA** Tool & Cutter Grinding Machine (RX⁵/LX⁵ / EZEE GRIND)



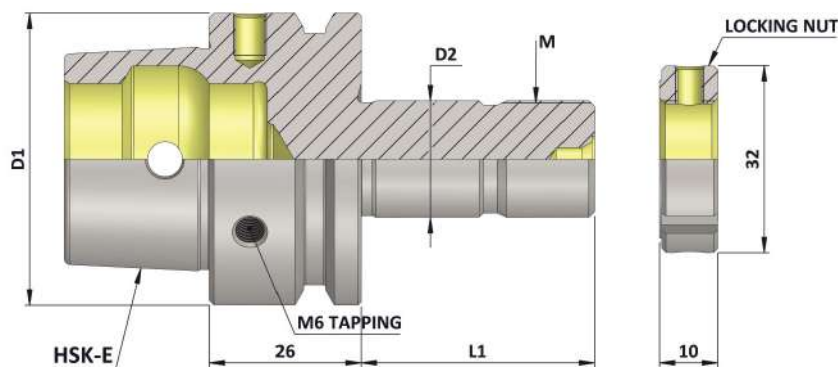
Designed for spacers dia. 40 mm, in thickness : 3mm = 1 no. | 6 mm = 1 no. | 12 mm = 2nos.

WHEEL ARBOR HSK-E 50

Balanced to G 2.5, 25000 R.P.M.

ITEM NAME	ITEM CODE	TAPER	D1	D2	L1	G	M
HSK-E50 WA Ø20x86	K10286588545127	HSK-E50	50	20	50	M12x1	M20x1
HSK-E50 WA Ø 20x126	K10286588544127	HSK-E50	50	20	90	M12x1	M20x1

For REINECKER Tool & Cutter Grinding Machine



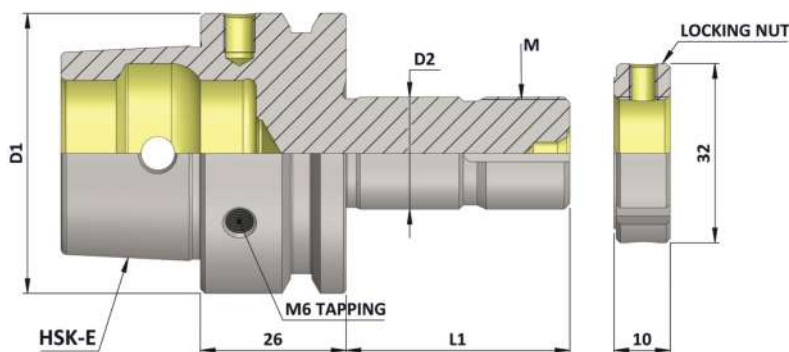
Designed for spacers dia. 40 mm. in thickness : 3mm = 1 no. | 6 mm = 1 no. | 12 mm = 2nos.

WHEEL ARBOR HSK-E 50

Balanced to G 2.5, 25000 R.P.M.

ITEM NAME	ITEM CODE	TAPER	D1	D2	L1	M
HSK-E 50 WA Ø 20 X 75 - (REINECKER)	K10286588595248	HSK-E50	50	20	49	M20x1
HSK-E 50 WA Ø 20 X 100	K10286588596248	HSK-E50	50	20	74	M20x1
HSK-E 50 WA Ø 20 X 135	K10286588580248	HSK-E50	50	20	109	M20x1

For SCHUTTE (305 Series) Tool & Cutter Grinding Machine



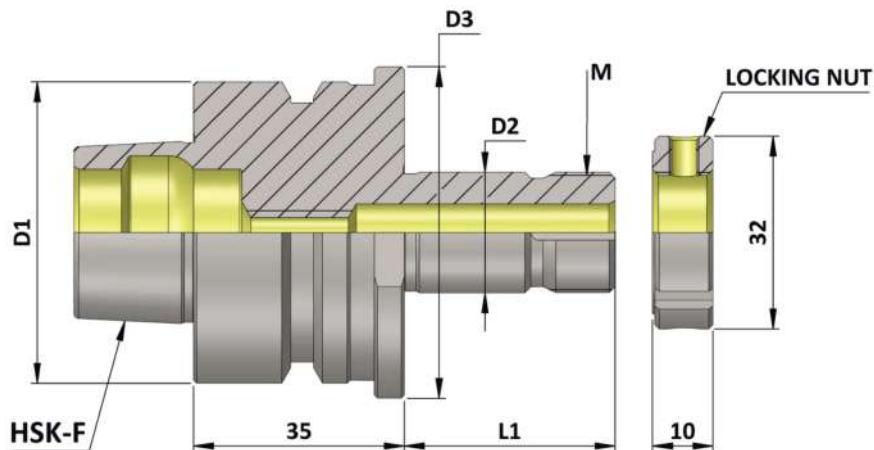
Designed for spacers dia. 40 mm. in thickness : 3mm = 1 no. | 6 mm = 1 no. | 12 mm = 2nos.

WHEEL ARBOR HSK-E 50

Balanced to G 2.5, 25000 R.P.M.

ITEM NAME	ITEM CODE	TAPER	D1	D2	L1	M
HSK-E 50 WA Ø 20 X 66 - (SCHUTTE 305)	K10286588595182	HSK-E50	50	20	40	M20x1
HSK-E 50 WA Ø 20 X 81	K10286588589182	HSK-E50	50	20	55	M20x1

For ANCA Tool & Cutter Grinding Machine



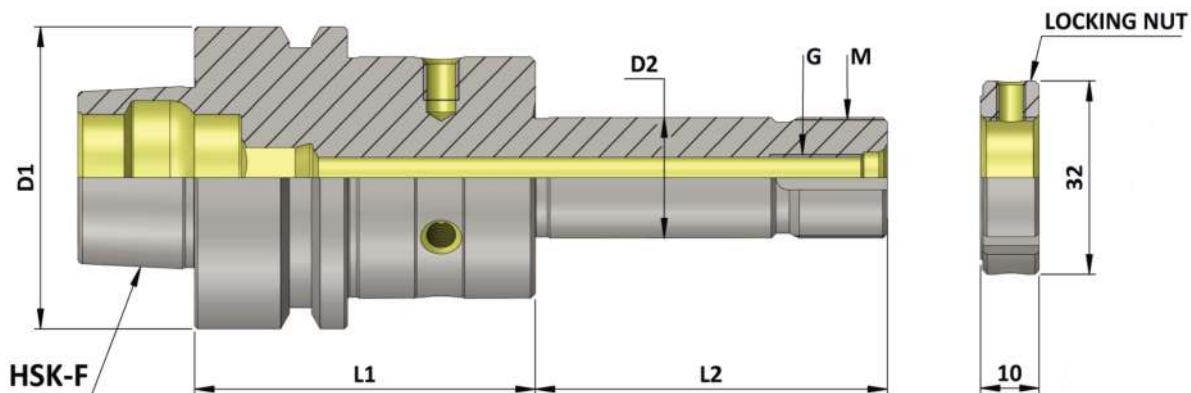
Designed for spacers dia. 40 mm. in thickness : 3mm = 1 no. | 6 mm = 1 no. | 12 mm = 2nos.

WHEEL ARBOR HSK- F 50

Balanced to G 2.5, 25000 R.P.M.

ITEM NAME	ITEM CODE	TAPER	D1	D2	D3	L1	M
HSK-F50 WA Ø 20x80	K10304588589127	HSK-F50	50	20	55	45	M20x1
HSK-F50 WA Ø 20x107	K10304588590127	HSK-F50	50	20	55	72	M20x1
HSK-F50 WA Ø 20x130	K10304588591127	HSK-F50	50	20	55	95	M20x1

For DECKEL Tool & Cutter Grinding Machine



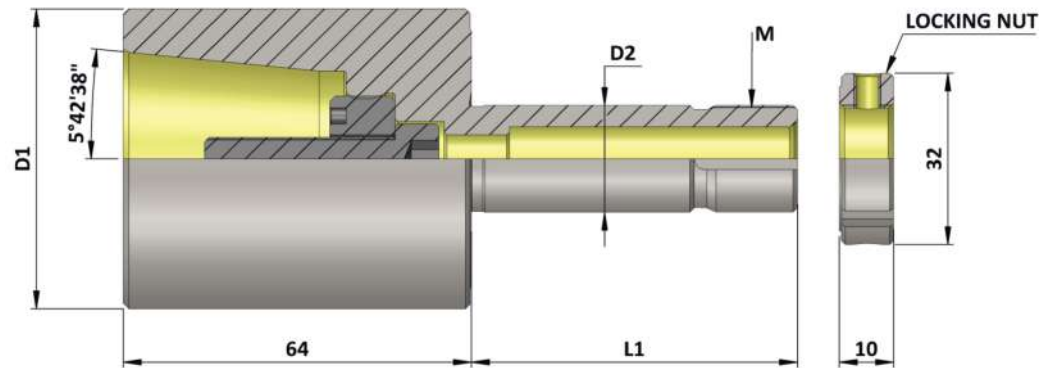
Designed for spacers dia. 40 mm. in thickness : 3mm = 1 no. | 6 mm = 1 no. | 12 mm = 2nos.

WHEEL ARBOR HSK- F 50

Balanced to G 2.5, 25000 R.P.M.

ITEM NAME	ITEM CODE	TAPER	D1	D2	L1	L2	G	M
HSK-F50 WA Ø 20x118	K10304588580127	HSK-F50	50	20	58	60	M8	M20x1

For TGT Tool & Cutter Grinding Machine

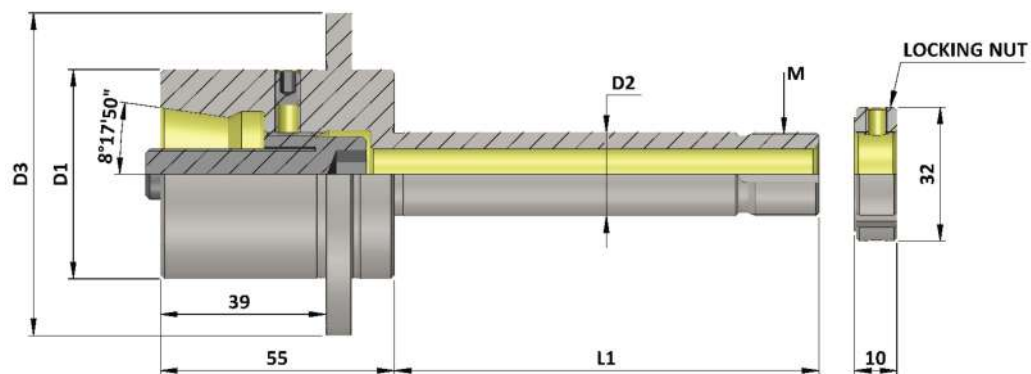


Designed for spacers dia. 40 mm. in thickness : 3mm = 1 no. | 6 mm = 1 no. | 12 mm = 2nos.

WHEEL ARBOR FOR TGT MACHINE

ITEM NAME	ITEM CODE	D1	D2	L1	M
WA Ø 20x124	K10268627301127	56	20	60	M20x1
WA Ø 20x144	K10268628301127	56	20	80	M20x1

For WALTER Tool & Cutter Grinding Machine

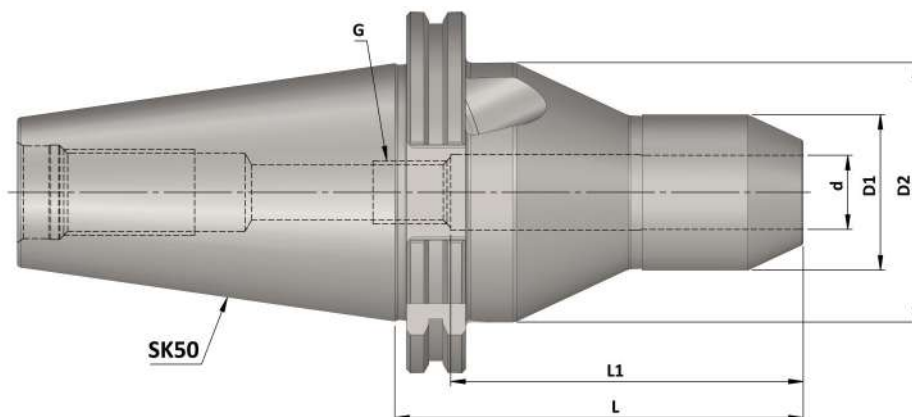


Designed for spacers dia. 40 mm. in thickness : 3mm = 1 no. | 6 mm = 1 no. | 12 mm = 2nos.

WHEEL ARBOR FOR WALTER MACHINE

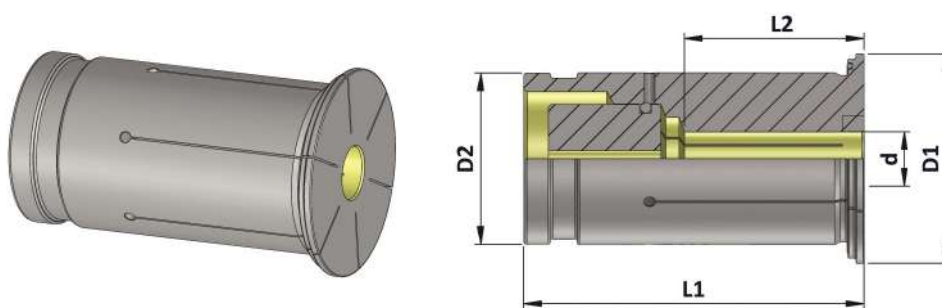
ITEM NAME	ITEM CODE	D1	D2	D3	L1	M
WA Ø 20x115	K10268625301127	50	20	77	60	M20x1
WA Ø 20x155	K10268626301127	50	20	77	100	M20x1

SK50 HC20S 110 (For CNC TOOL & CUTTER)



ITEM NAME	ITEM CODE	d	D1	D2	G	L	L1
SK50 HC20S 110 (TOOL & CUTTER) AD+B/2.5G 25000 SL	K10105168156225	20	42	70	M16	110	92.8

Reduction Sleeve (RS) : For Hydraulic Chuck



Reduction Sleeve (RS)

(Concentricity within 0.005 mm)

ITEM NAME	ITEM CODE	d	D1	D2	L1	L2
RS20 X 3	K10106182301127	3	29	20	52.5	14
RS20 X 4	K10106183301127	4	29	20	52.5	15
RS20 X 5	K10106184301127	5	29	20	52.5	18
RS20 X 6	K10106185301127	6	29	20	52.5	25
RS20 X 7	K10106186301127	7	29	20	52.5	25
RS20 X 8	K10106187301127	8	29	20	52.5	30
RS20 X 9	K10106188301127	9	29	20	52.5	30
RS20 X 10	K10106189301127	10	29	20	52.5	33
RS20 X 11	K10106190301127	11	29	20	52.5	33
RS20 X 12	K10106191301127	12	29	20	52.5	34
RS20 X 13	K10106192301127	13	29	20	52.5	34
RS20 X 14	K10106193301127	14	29	20	52.5	34